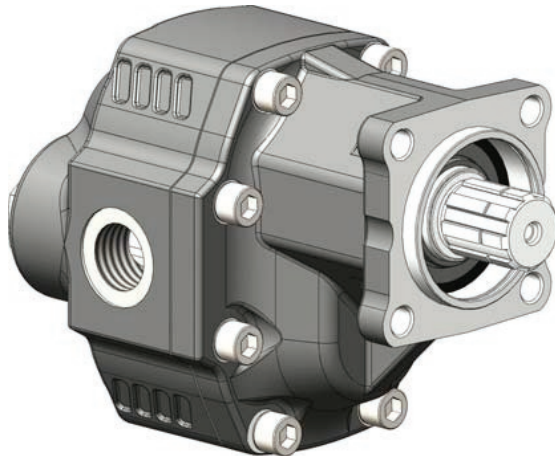


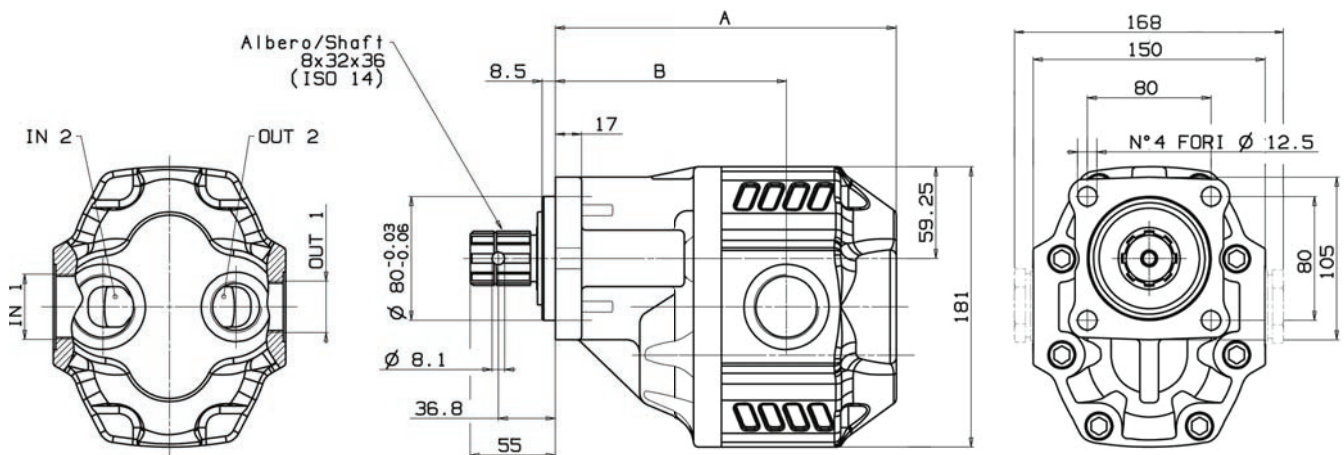
# HEAVY-DUTY GEAR PUMPS



## NPGH ISO



<b>Fluid</b>	Mineral or synthetic compatible with the following seals: NBR, FKM, FPM, NYLON				
<b>Kinematic viscosity suggested</b>	Average ambient temp. (°C)	< -10	-10 ÷ +10	10 ÷ 35	> 35
	VG (cSt = mm <sup>2</sup> /s)	22	32	46	68
<b>Optimal kinematic viscosity</b>		VG = 10 cSt / 100 cSt			
<b>Max kinematic viscosity suggested at start-up</b>		VG = 750 cSt			
<b>Viscosity index suggested</b>	VI > 100	Working temperature -15°C + 100°C			
<b>Oil Filtering</b>		> 200 bar: 10 µm < 200 bar: 25 µm			
<b>Inlet pressure</b>		-0.3 ÷ 2 bar			
<b>Pump Rotation</b>		Unidirectional (Right or Left)			



PUMP TYPE	ROTATION		IN 1 IN 2 ISO 228	OUT 1 OUT 2 ISO 228	A mm	B mm	WEIGHT Kg
	RIGHT	LEFT					
NPGH-63	105.012.10636	105.012.10645	G 1	G 3/4	201.5	136.5	19
NPGH-73	105.012.10734	105.012.10743			205.5	140.5	21
NPGH-84	105.012.10841	105.012.10850	G 1 1/4	G 1	209.5	141	21.5
NPGH-100	105.012.11000	105.012.11019			215.5	144.5	22
NPGH-116	105.012.11162	105.012.11171	G 1 1/2	G 1	221.5	150.5	22.5
NPGH-133	105.012.11331	105.012.11340			231.5	152.5	23.5
NPGH-150	105.012.11500	105.012.11519			236.5	157.5	24

NPGH ISO\_21 Specifications subject to change without notice.

**PHONE: 1300 300 375**

transporteng.com.au info@transporteng.com.au



MELBOURNE • SYDNEY • BRISBANE • PERTH • ADELAIDE

# HEAVY-DUTY GEAR PUMPS



## NPGH ISO

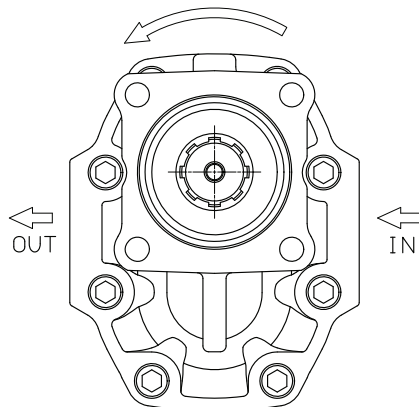
### Technical Features

PUMP TYPE	DISPLACEMENT cm <sup>3</sup> /rev	PRESSURE (BAR)			MAX. CONTINUOUS SPEED (rpm)	MAX. INTERMIT- TENT SPEED (rpm)	MIN. SPEED (rpm)
		P1	P2	P3			
NPGH-63	63.70	290	315	325	1800	2700	300
NPGH-73	74.87	280	300	315			
NPGH-84	85.96	260	280	290			
NPGH-100	102.60	250	270	280			
NPGH-116	119.24	240	260	270	1500	2500	300
NPGH-133	135.88	220	250	260			
NPGH-150	149.75	180	210	220			

**P1**= Max continuous pressure (100%) **P2**= Max. Intermittent pressure (20 sec.max.) **P3**=Max. peak pressure (6 sec. max.)

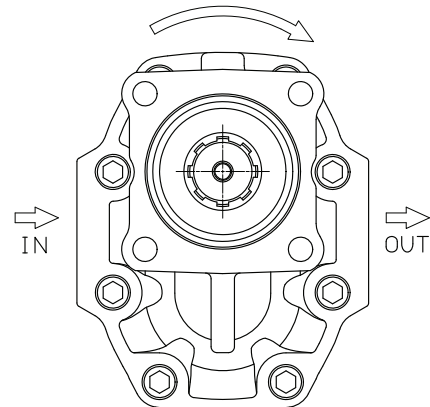
### Suction/Delivery Identification:

Anti-clockwise rotation, left pump



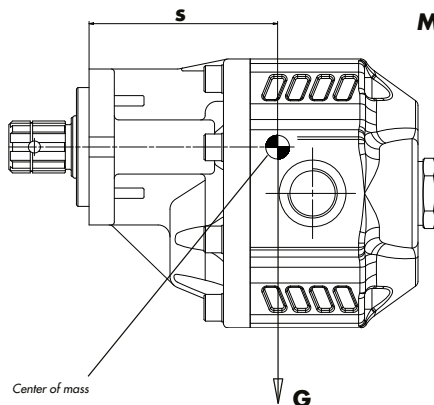
FRONT

Clockwise rotation, right pump



FRONT

### Mass moment



$$M_{\text{amm.}} = s \times G \text{ (Nm)}$$

G=Weight in N (Weight in Kg x 9.81)

PUMP TYPE	S
NPGH-63	116
NPGH-73	119
NPGH-84	122
NPGH-100	126
NPGH-116	129
NPGH-133	133
NPGH-150	138

The pump is complete with double oil-seal and tapered roller bearing on the input shaft.

NPGH ISO\_21 Specifications subject to change without notice.

**PHONE: 1300 300 375**

transporteng.com.au info@transporteng.com.au



TRANSPORT  
ENGINEERING SOLUTIONS



MELBOURNE • SYDNEY • BRISBANE • PERTH • ADELAIDE