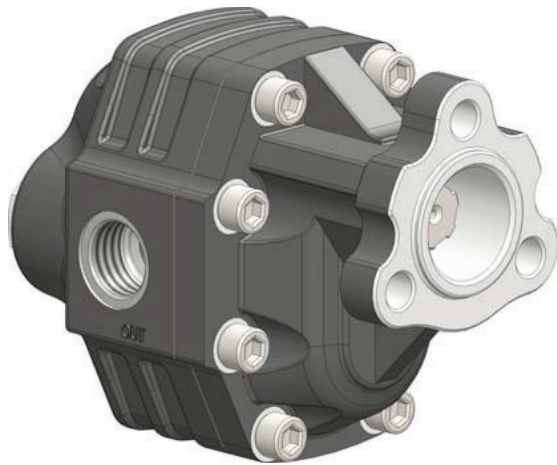


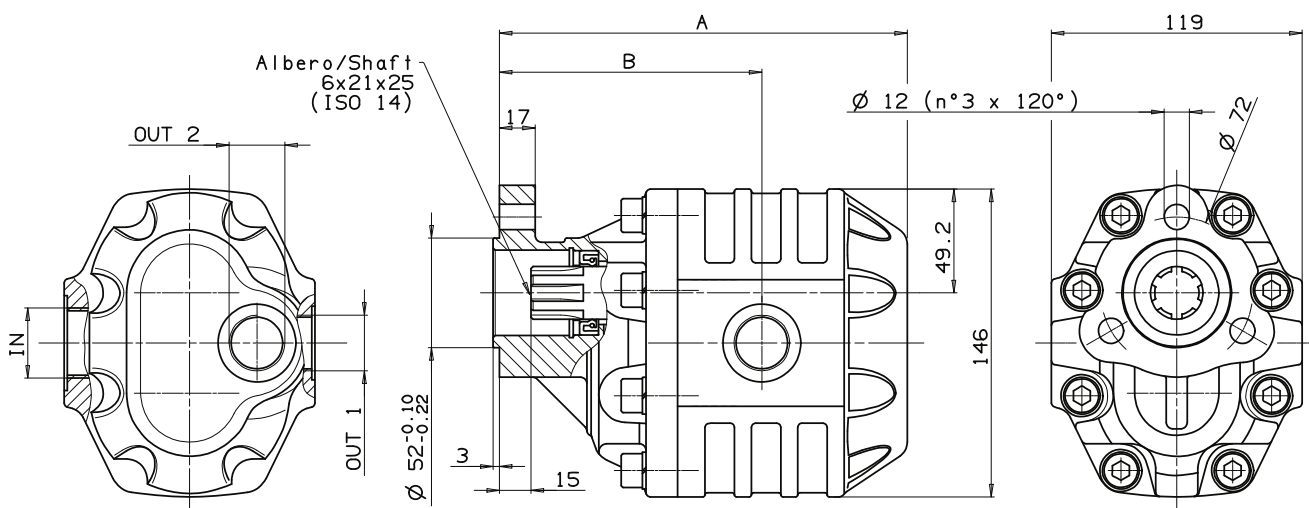
MEDIUM TO HEAVY-DUTY GEAR PUMPS



NPH UNI



Fluid	Mineral or synthetic compatible with the following seals: NBR, FKM, FPM, NYLON				
Kinematic viscosity suggested	Average ambient temp. (°C)	< -10	-10 ÷ 10	10 ÷ 35	> 35
	VG (cSt = mm ² /s)	22	32	46	68
Optimal kinematic viscosity		VG = 10 cSt / 100 cSt			
Max kinematic viscosity suggested at start-up		VG = 750 cSt			
Viscosity index suggested	VI > 100	Working temperature -15°C + 100°C			
Oil Filtering		> 200 bar: 10 µm < 200 bar: 25 µm			
Inlet pressure		-0.3 ÷ 2 bar			
Pump Rotation		Unidirectional (Right or Left)			



PUMP TYPE	ROTATION		IN ISO 228	OUT 1 ISO 228	OUT 2 ISO 228	A mm	B mm	WEIGHT Kg		
	RIGHT	LEFT								
NPH-17	105.011.00175	105.011.00184	G 1/2	G 1/2		152.5	103.5	8.5		
NPH-22	105.011.00228	105.011.00237				156	105.5	9		
NPH-27	105.011.00273	105.011.00282	G 3/4			158.5	108	9.5		
NPH-34	105.011.00344	105.011.00353				163.5	109	10.5		
NPH-43	105.011.00433	105.011.00442	G 1	G 3/4		169.5	114	11		
NPH-51	105.011.00513	105.011.00522				174.5	114.5	11.5		
NPH-61	105.011.00611	105.011.00620				180.5	120.5	12		
NPH-73	105.011.00737	105.011.00746				188.5	119.5	12.5		
NPH-82	105.011.00826	105.011.00835	G1-1/4			193.5	124.5	13		
NPH-100	105.011.01003	105.011.01012				G1	G 3/4	210.5	138.5	14
NPH-125	105.011.01254	105.011.01263						226.5	142.5	16

NPH UNI_21 Specifications subject to change without notice.

PHONE: 1300 300 375

transporteng.com.au info@transporteng.com.au



MELBOURNE • SYDNEY • BRISBANE • PERTH • ADELAIDE

MEDIUM TO HEAVY-DUTY GEAR PUMPS



NPH UNI

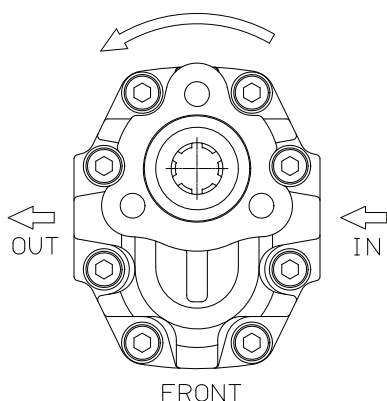
Technical Features

PUMP TYPE	DISPLACEMENT cm ³ /rev	PRESSURE (BAR)			MAX. CONTINUOUS SPEED (rpm)	MAX. INTERMITTENT SPEED (rpm)	MIN. SPEED (rpm)
		P1	P2	P3			
NPH-17	17.04	290	315	325	2500	3000	300
NPH-22	22.15						
NPH-27	26.18						
NPH-34	33.88	280	300	310	2200	2800	
NPH-43	43.12	270	290	300	2000	2500	
NPH-51	50.82	240	260	280			
NPH-61	60.06	220	240	250	1800	2000	
NPH-73	72.88	200	220	230	1600	1800	
NPH-82	81.08	190	210	220			
NPH-100	98.18	180	200	220	1500		
NPH-125	122.72	160	180	200			

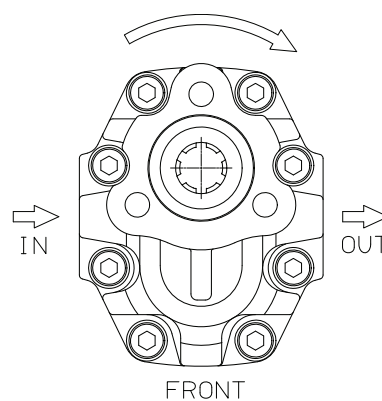
P1= Max continuous pressure (100%) **P2**= Max. Intermittent pressure (20 sec.max.) **P3**=Max. peak pressure (6 sec. max.)

Suction/Delivery Identification:

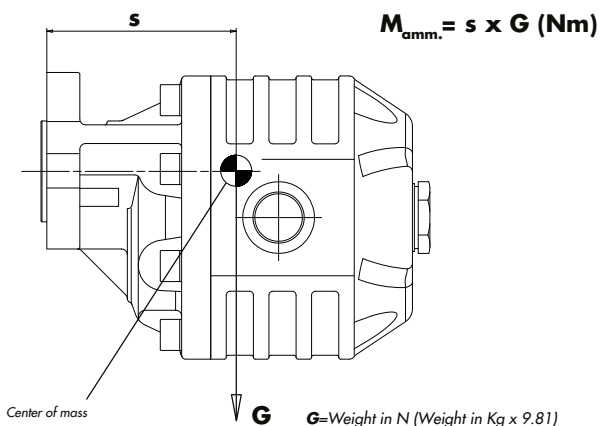
Anti-clockwise rotation, left pump



Clockwise rotation, right pump



Mass moment



PUMP TYPE	S
NPH-17	93
NPH-22	94
NPH-27	96
NPH-34	99
NPH-43	101
NPH-51	103
NPH-61	106
NPH-73	110
NPH-82	113
NPH-90	120
NPH-100	122
NPH-125	130

NPH UNI_21 Specifications subject to change without notice.

PHONE: 1300 300 375

transporteng.com.au info@transporteng.com.au



MELBOURNE • SYDNEY • BRISBANE • PERTH • ADELAIDE