

AXIAL PISTON PUMPS

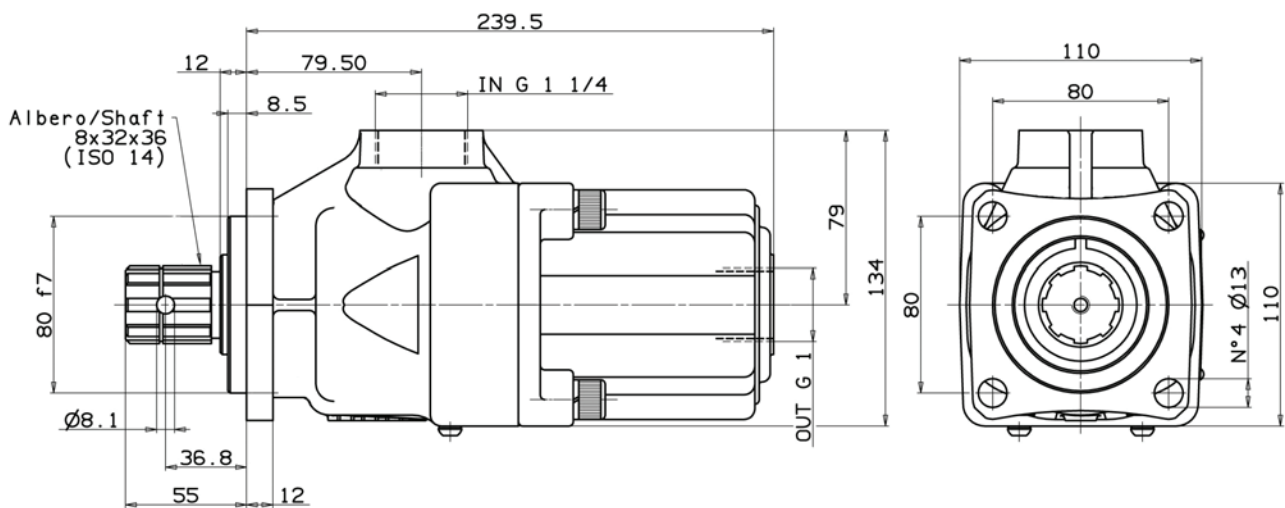


DARK ISO



Fluid	Mineral or synthetic compatible with the following seals: NBR, FKM, FPM, NYLON				
Kinematic viscosity suggested	Average ambient temp. (°C)	< -10	-10 ÷ 10	10 ÷ 35	> 35
	VG (cSt = mm ² /s)	16	22	32	46
Optimal kinematic viscosity		VG = 10 cSt ÷ 100 cSt			
Max kinematic viscosity suggested at start-up		VG = 750 cSt			
Viscosity index suggested	VI > 100	Working temperature -15°C ÷ 100°C			
Oil Filtering		> 200 bar: 10 µm < 200 bar: 25 µm			
Inlet pressure		-0.85 ÷ 2 bar absolute			
Pump Rotation		Bidirectional			

Verify that pump is at least 100 mm under the minimum level of the tank.
Before starting the pump bleed the air.



PUMP TYPE	ORDER CODE	DISPLACEMENT cm ³ /rev	PRESSURE		MAX. SPEED (rpm)	WEIGHT (Kg)
			Max	Peak		
DARK-21	108.005.02120	20.25	350	400	1800	14.5
DARK-28	108.005.02826	27				
DARK-35	108.005.03521	33.75				
DARK-42	108.005.04226	40.5				
DARK-48	108.005.04824	47.25				
DARK-52	108.005.05225	51.97	300	350	1500	14.3
DARK-55	108.005.05529	54				
DARK-60	108.005.05921	59.3				

DARK ISO_21 Specifications subject to change without notice.

PHONE: 1300 300 375

transporteng.com.au info@transporteng.com.au



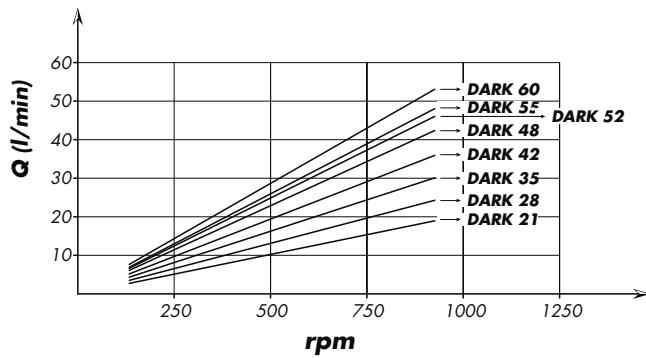
MELBOURNE • SYDNEY • BRISBANE • PERTH • ADELAIDE

AXIAL PISTON PUMPS

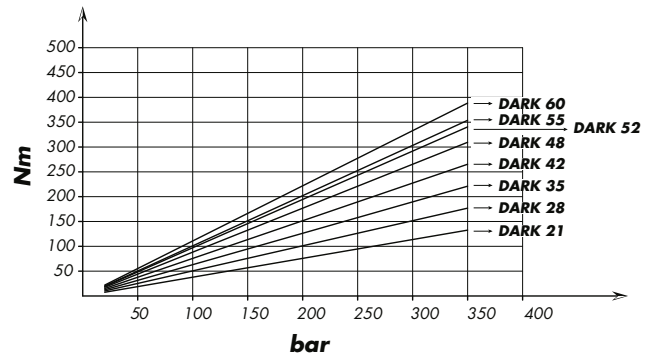


DARK ISO

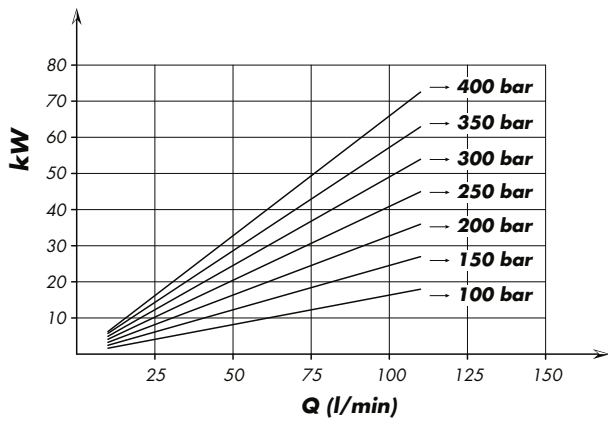
Flow



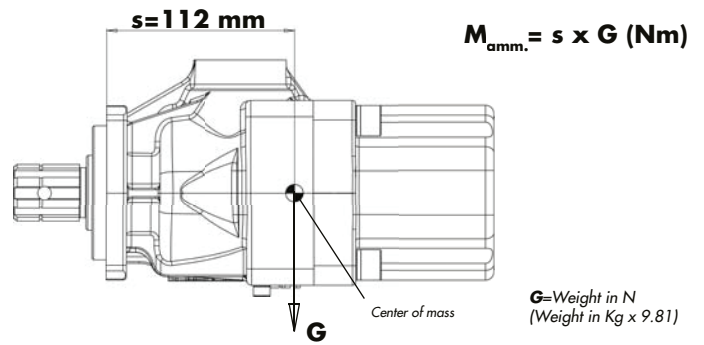
Drive Torque



Power Input



Mass moment



'S' dimension can be considered valid for all pump displacement.

Seal Kit

p/n 108-903-00027

DARK ISO_21 Specifications subject to change without notice.

PHONE: 1300 300 375

transporteng.com.au info@transporteng.com.au



MELBOURNE • SYDNEY • BRISBANE • PERTH • ADELAIDE