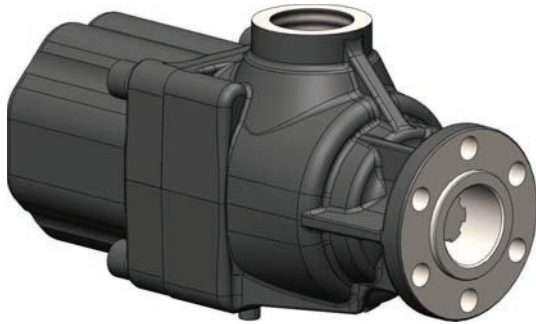


AXIAL PISTON PUMPS

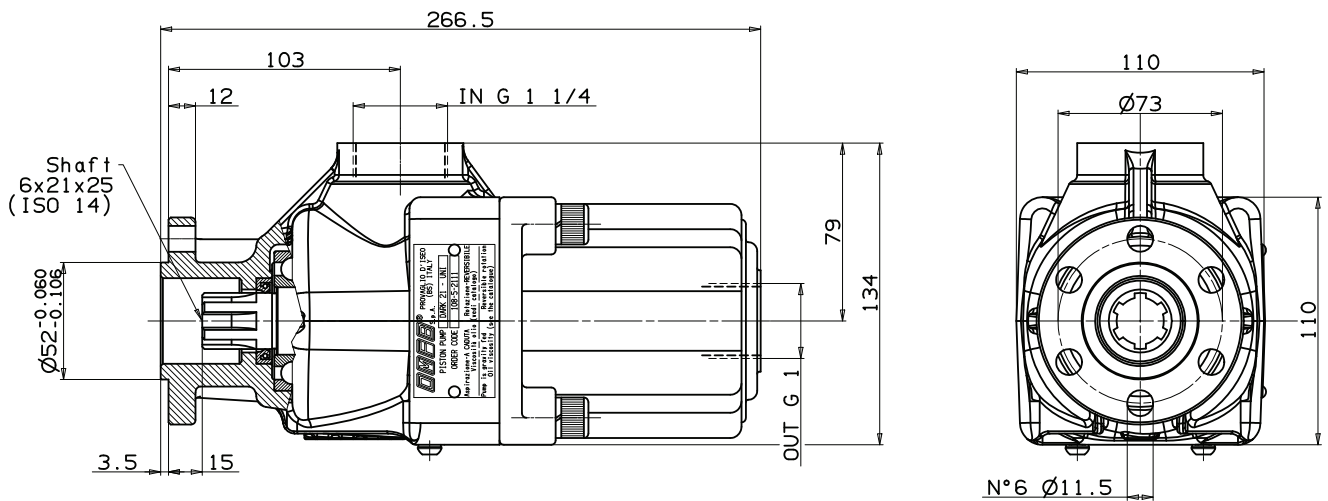


DARK UNI



Fluid	Mineral or synthetic compatible with the following seals: NBR, FKM, FPM, NYLON				
Kinematic viscosity suggested	Average ambient temp. (°C)	< -10	-10 ÷ 10	10 ÷ 35	> 35
	VG (cSt = mm ² /s)	16	22	32	46
Optimal kinematic viscosity			VG = 10 cSt ±100 cSt		
Max kinematic viscosity suggested at start-up			VG = 750 cSt		
Viscosity index suggested	VI > 100	Working temperature -15°C ÷ 100°C			
Oil Filtering	> 200 bar: 10 µm < 200 bar: 25 µm				
Inlet pressure	-0.85 ÷ 2 bar absolute				
Pump Rotation	Bidirectional				

Verify that pump is at least 100 mm under the minimum level of the tank.
Before starting the pump bleed the air.



PUMP TYPE	ORDER CODE	DISPLACEMENT cm ³ /rev	PRESSURE		MAX. SPEED (rpm)	WEIGHT (Kg)
			Max	Peak		
DARK-21	108.005.02111	20.25	350	400	1800	13.8
DARK-28	108.005.02817	27				
DARK-35	108.005.03512	33.75				
DARK-42	108.005.04217	40.5				
DARK-48	108.005.04815	47.25				
DARK-52	108.005.05216	51.97	300	350	1500	13.5
DARK-55	108.005.05510	54				
DARK-60	108.005.05912	59.3				

DARK UNI_21 Specifications subject to change without notice.

PHONE: 1300 300 375

transporteng.com.au info@transporteng.com.au



MELBOURNE • SYDNEY • BRISBANE • PERTH • ADELAIDE

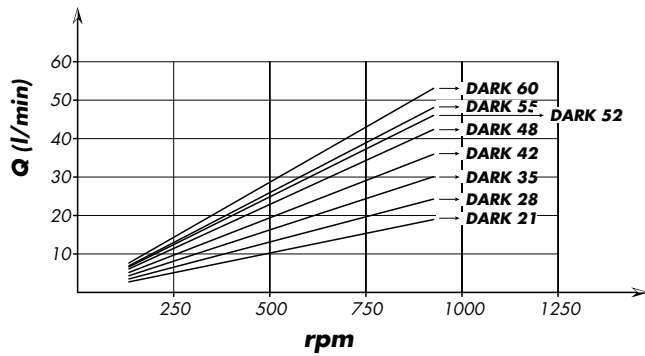
AXIAL PISTON PUMPS



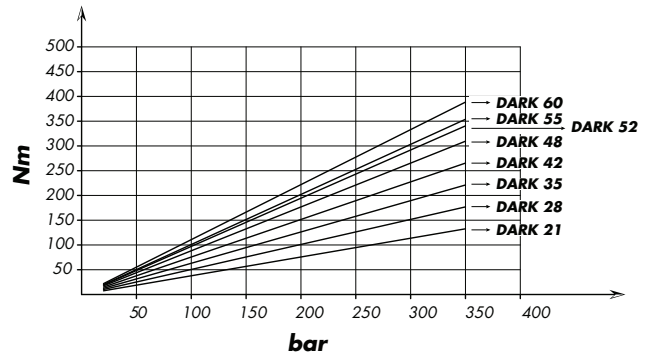
DARK UNI

Technical Features

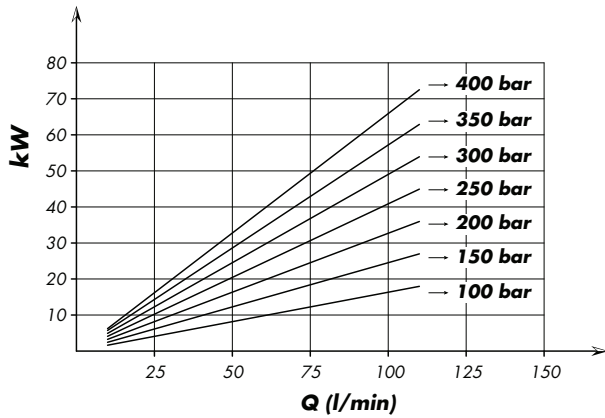
Flow



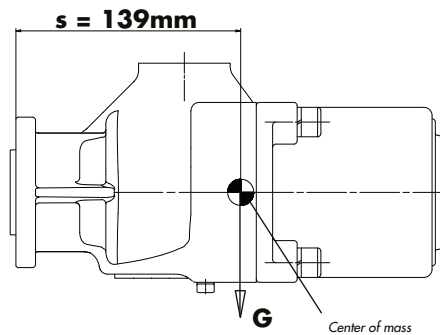
Drive Torque



Power Input



Mass moment



$$M_{\text{amm}} = s \times G \text{ (Nm)}$$

G=Weight in N
(Weight in Kg x 9.81)

'S' dimension can be considered valid for all pump displacement.

Seal Kit

p/n 108-903-00018

DARK UNI_21 Specifications subject to change without notice.

PHONE: 1300 300 375

transporteng.com.au info@transporteng.com.au



MELBOURNE • SYDNEY • BRISBANE • PERTH • ADELAIDE