

M326

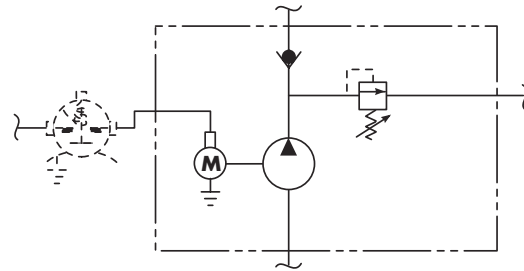
Formerly Monarch Hydraulics



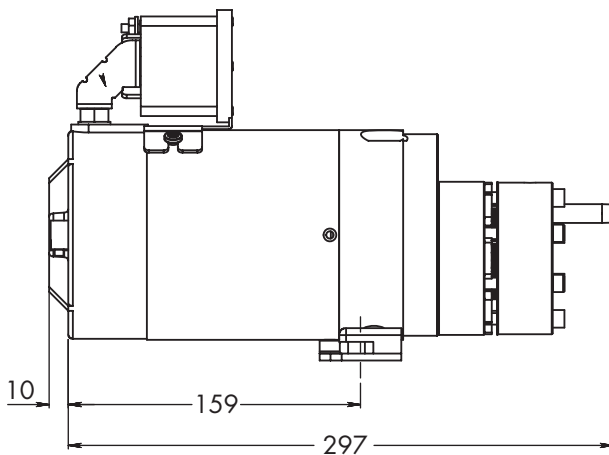
PUMP/MOTOR UNIT

Description:

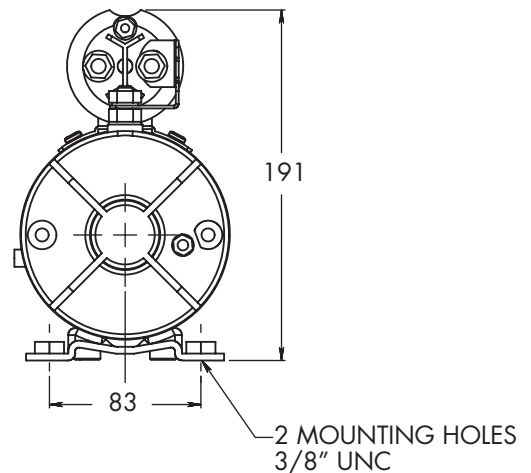
- Pump/Motor
- Check valve
- Externally-adjustable relief-valve
- Working ports 3/8" NPT
- Relief-valve return 1/8" NPT



HYDRAULIC SCHEMATIC



SIDE VIEW



END VIEW

ORDERING CODE: **M326.12V**
12V or 24V DC

Also available with high duty-cycle, permanent-magnet motor

PHONE: 1300 300 375

transporteng.com.au info@transporteng.com.au

TES TRANSPORT
ENGINEERING SOLUTIONS

A **Sime Darby** Motors Company

MELBOURNE • SYDNEY • BRISBANE • PERTH • ADELAIDE