

# MULTI-FIT TANKS

## 640mm x 710mm - 135L to 250L Capacity



### BR Series

BR Series tanks are manufactured using only high-quality raw materials combined with the latest technologies in robot welding and assembly. This results in a reliable product, sleek in appearance and suitable for a range of applications.

Available in aluminium or powder-coated steel, with L-brackets for side mounting or bottom brackets for rear-of-cab mounting

- 115mm filter provision for tank-top return filter and/or direct valve mounting
- Quality filler breather with replaceable element
- Oil-level indicator

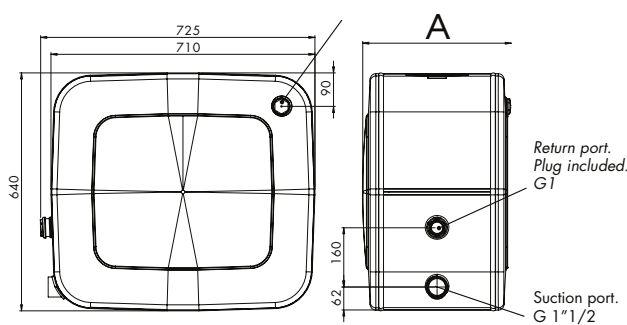


**TKBRS Side Mount**

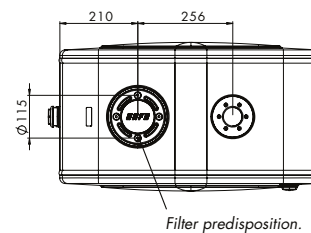


**TKBRR Rear Mount**

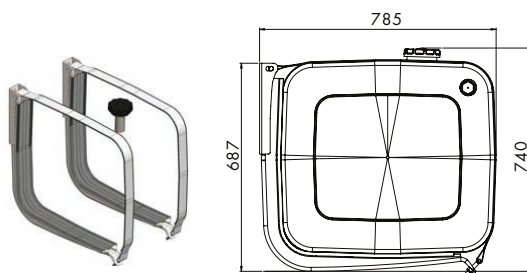
Capacity (L)	WITH SIDE-MOUNT BRACKET				WITH REAR-MOUNT BRACKET				A (mm)
	Aluminium		Steel		Aluminium		Steel		
	Product Code	Weight (kg)	Product Code	Weight (kg)	Product Code	Weight (kg)	Product Code	Weight (kg)	
135	TKBRS135A	36	TKBRS135S	44	TKBRR135A	29	TKBRR135S	37	350
150	TKBRS150A	37	TKBRS150S	46	TKBRR150A	30	TKBRR150S	39	400
170	TKBRS170A	38	TKBRS170S	48	TKBRR170A	31	TKBRR170S	41	450
200	TK-BRS200A	39	TK-BRS200S	50	TK-BRR200A	32	TK-BRR200S	43	500
250	TKBRS250A	41	TKBRS250S	53	TKBRR250A	34	TKBRR250S	46	600



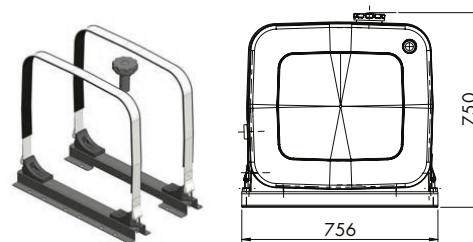
### Tank Dimensions



#### Side Mount



#### Rear Mount



**PHONE: 1300 300 375**

transporteng.com.au info@transporteng.com.au

