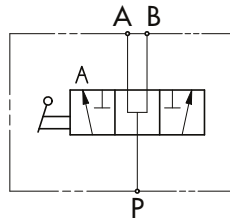


# MANUAL DIVERTER-VALVES



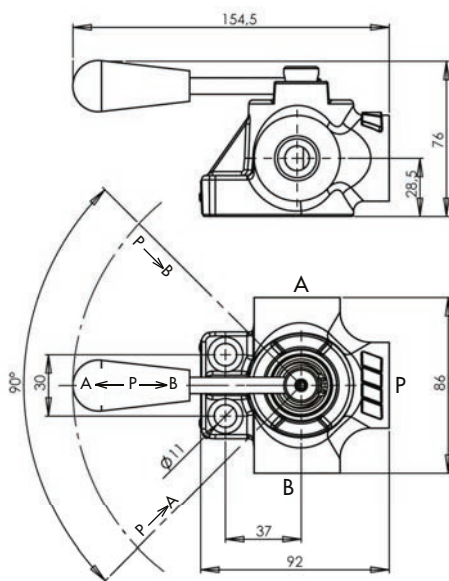
121.19.128, 121.19.351, 121.19.1001



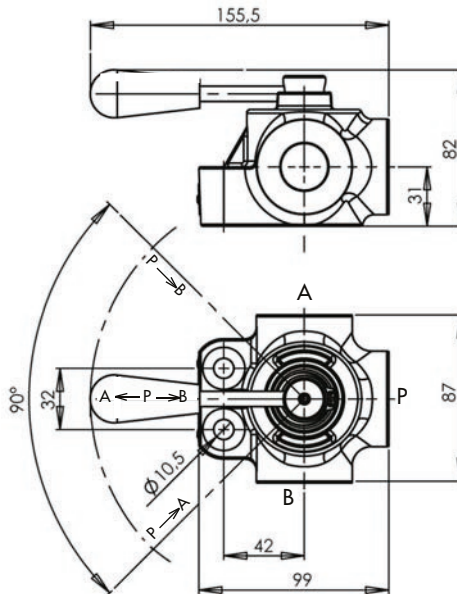
**Manual 3-way high pressure diverter valve to control 2 pressure lines separately. Especially designed to afford pressure peaks of applications like Tipper/crane or hook-loader/crane.**

- Pressure up to 400 bar.
- Open center scheme to prevent dangerous shocks while switching.
- Galvanized body and nickel spool.
- Guaranteed for oil temperature range -15+110 °C, viscosity range 12÷100 cSt and oil filtering 25 µm

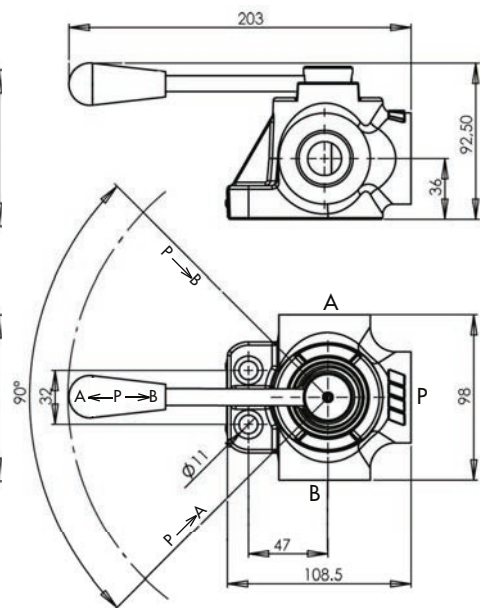
## Dimensions



**121-019-00128 - G 1/2**



**121-019-00351 - G 3/4**



**121-019-01001 - G 1**

121.19.128 - 21 Specifications subject to change without notice.

**PHONE: 1300 300 375**

transporteng.com.au info@transporteng.com.au



MELBOURNE • SYDNEY • BRISBANE • PERTH • ADELAIDE

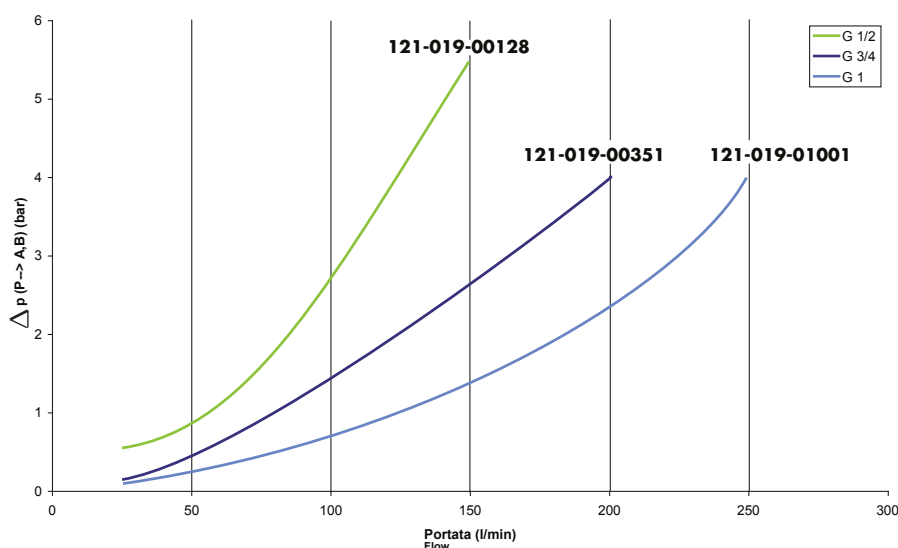
# MANUAL DIVERTER-VALVES

121.19.128, 121.19.351, 121.19.1001



VALVE TYPE	ORDER CODE	IN SERVICE bar	MAX PEAK PRESSURE (bar)	FLOW l/min	PORT	WEIGHT (kg)
DVT VLV 3 WAYS	<b>121.019.00128</b>	380	400	100	G 1/2	1.8
DVT VLV 3 WAYS	<b>121.019.00351</b>			150	G 3/4	2.2
DVT VLV 3 WAYS	<b>121.019.01001</b>			220	G 1	3.7

## Tipping valve pressure drops



The graph refers to oil type ISO VG 46 a 40°

121.19.128 - 21 Specifications subject to change without notice.

**PHONE: 1300 300 375**

transporteng.com.au info@transporteng.com.au



MELBOURNE • SYDNEY • BRISBANE • PERTH • ADELAIDE