

# WINCHES



EPH 12500

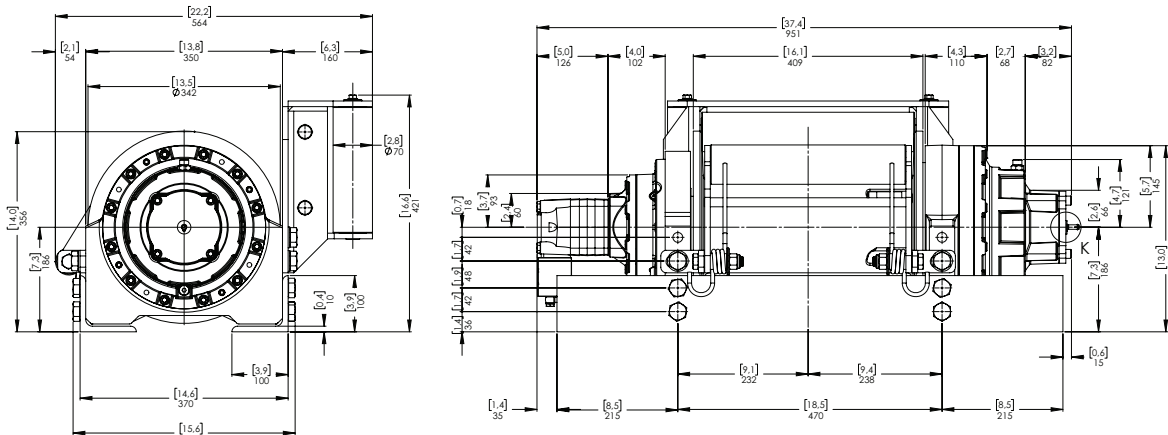
## PLANETARY HYDRAULIC WINCH



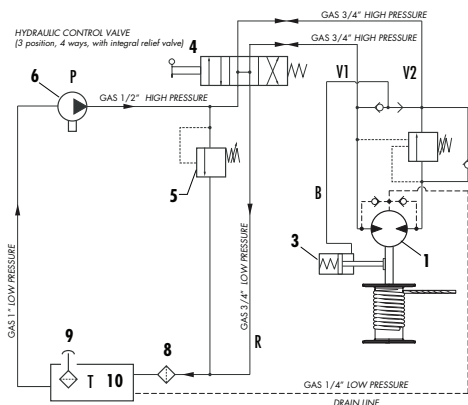
### Description:

Model EPHFN is a two stages planetary hydraulic winch with spring applied multi disc hydraulic pressure released brake for a reliable and effective brake capacity. The high efficiency two stages planetary gear train assure fast payout and rewind winching operation. Designed and built for a long life and extended heavy-duty cycle, gives best safe duty. Winches model EPHFN are particularly indicated for heavy-duty rear or front truck carrier applications.

### PNEUMATIC SHIFT SYSTEM



### HYDRAULIC SYSTEM



**Note:** Hydraulic system shown in pict., is not included in winch equipment.

- |    |                                       |
|----|---------------------------------------|
| 1  | Orbital hydraulic motor               |
| 2  | Overcenter valve                      |
| 3  | Brake (B)                             |
| 4  | Hydraulic control valve               |
| 5  | Relief valve                          |
| 6  | Hydraulic pump (P)                    |
| 7  | Drainage line (C)                     |
| 8  | Filter: 40 μm / 25 μm - 20 μm / 10 μm |
| 9  | Refill oil filter                     |
| 10 | Reservoir                             |
| V1 | Overcenter valve port                 |
| V2 | Overcenter valve port                 |

The winch is built for a working temperature range of between -20°C and +50°C. Operating outside this range may cause damage.



**WARNING:** Roller fairlead and level winder not included and will need to be ordered separately.

EPH12500\_2021 Specifications subject to change without notice.

PHONE: 1300 300 375

transporteng.com.au info@transporteng.com.au



MELBOURNE • SYDNEY • BRISBANE • PERTH • ADELAIDE

# WINCHES



## EPH 12500 - PLANETARY HYDRAULIC WINCH

Code	Rated line pull Kg	Drum	Max pressure bar	Engage	Weight without cable Kg	Heavy-duty roller fairlead Kg	Cable tensioner Kg
137.6.12313	12500	Long	200	Pneumatic	200	35	10

Winch	Ratio	Wire rope size	Layer	Line pull	Wire rope minimum breaking load EN 14492 Kg
		mm		Kg	
EPH 12500	1/22,69	15	1	12.500	25.000
			2	10.680	
			3	9.330	
			4	8.280	
			5	7.440	
		18 35 mt + catch 50 mt + catch	1	12.500	
			2	10.410	
			3	8.920	
			4	7.810	
			5	6.940	

	Layer	Drum diameter Ø mm		Wire rope on layer mt		Wire rope quantity mt	
		15mm	18mm	15mm	18mm	15mm	18mm
		6	327	-	24,5	-	113,4
5	297	324	22,3	20,1	88,9	78,1	
4	267	288	20,0	17,8	66,6	58	
3	237	252	17,8	15,6	46,6	40,1	
2	207	216	15,5	13,4	28,8	24,5	
1	177	180	13,3	11,2	13,3	11,2	
0	162	162	-	-	-	-	

Drum size : LONG 373 mm

Wire Rope Size mm	Oil Supply lt / min	Drum revolution rpm	Line speed mt / min				
			1	2	3	4	5
15	40	8,1	4,5	5,1	5,9	6,7	7,3
	60	12,6	7,1	8,1	9,4	10,6	11,6
	75	16	9,1	10,4	12,0	13,5	15,0
18	40	8,1	4,6	5,5	6,4	7,3	8,2
	60	12,6	7,2	8,6	10	11,4	12,8
	75	16	9,2	10,9	12,7	14,5	16,3



**NOTES:** Wire rope size must be respected.  
Recommended wire rope min, tensile strength 2160 N/mm<sup>2</sup>. Wire rope minimum breaking load must be at least double of winch max. pulling capacity.  
\*\* Max. wire rope capacity according with EN 14492-1.



Winch provided with oil. To top up gear housing please use oil type 15/40 W MULTIGRADE (0,8 l) and for brake housing use oil type TIVELA SC320.

**PHONE: 1300 300 375**

transporteng.com.au info@transporteng.com.au



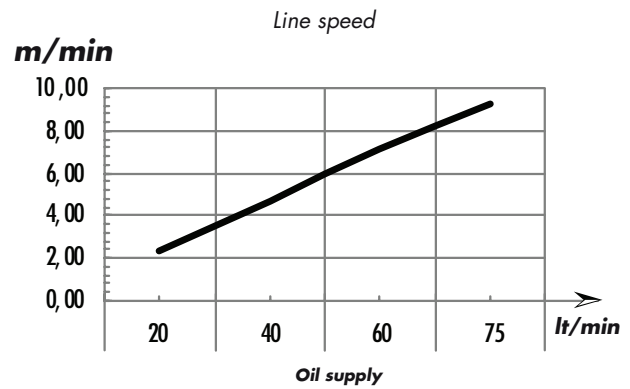
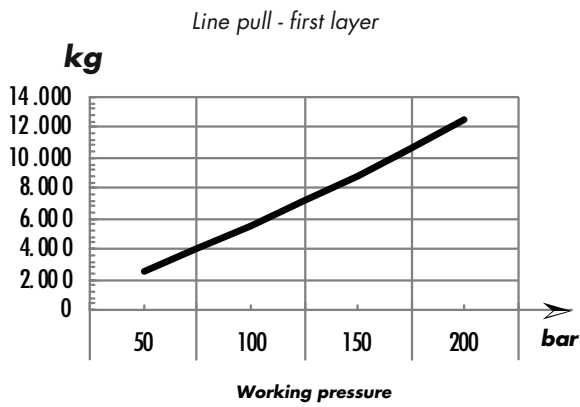
MELBOURNE • SYDNEY • BRISBANE • PERTH • ADELAIDE

# WINCHES

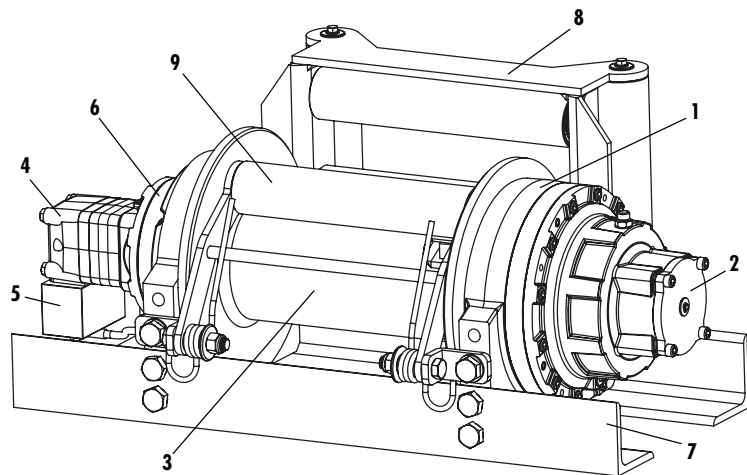


## EPH 12500 - PLANETARY HYDRAULIC WINCH

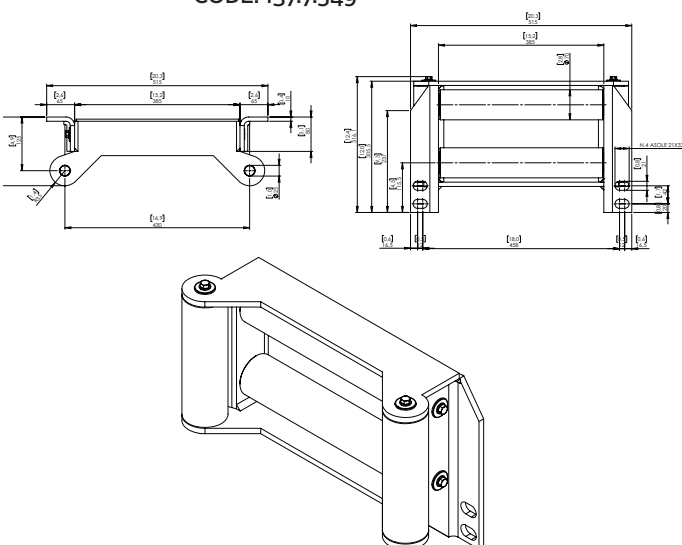
### PERFORMANCE CHARTS AT THE 1° LAYER



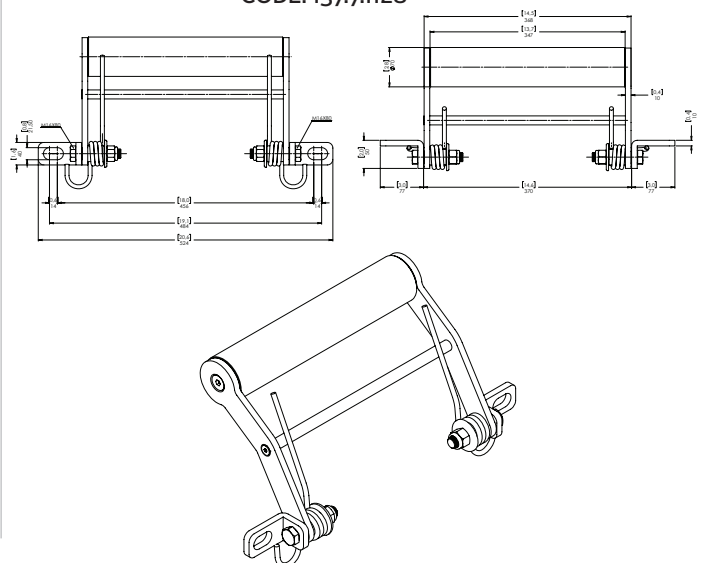
N°	Description
1	Gear housing two stages
2	Air-cylinder clutch shifter for free spooling
3	Drum size - distance between flanges 373mm
4	Orbital hydraulic motor 200cc
5	Overcenter Valve
6	Multi-disc brake
7	Standard base mounting angles
8	Zinc plated Heavy-duty roller fairlead
9	Zinc plated cable tensioner



### Roller fairlead winch CODE: 137.7.549



### Lever winder winch CODE: 137.7.1128



PHONE: 1300 300 375

transporteng.com.au info@transporteng.com.au

