



**PALFINGER**



**MBB 500 Van**

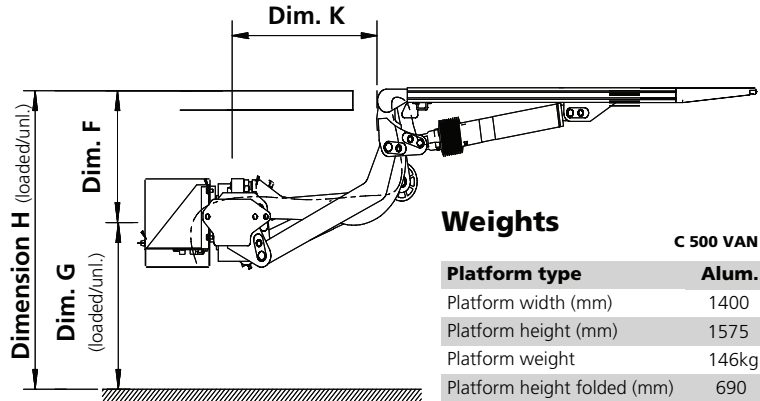
# MBB C 500 VAN



The perfect solution for vans



The MBB C 500 VAN model has been specifically designed for factory-built vans and fits virtually all models. Weighing in 146kg and lifting a full 500kg at 600mm load centre the lift features open and close hydraulic function and delivered pre-wired with easy to-fit, van specific mounting brackets so no body modifications required.



## Dimensions

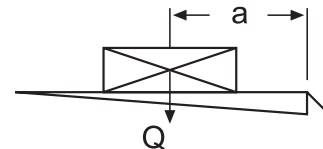
| C 500 VAN         |  |     |
|-------------------|--|-----|
| Lift arms (in mm) |  | 500 |
| H (max.)          | Loading height unloaded                            | 780 |
| H (min.)          | Loading height loaded                              | 450 |
| F (max.)          | Middle of main beam to upper edge of loading floor | 340 |
| K (min.)          | At dimension F (max.)                              | 546 |
| D (min.)          | Installation space (min.)                          | 729 |
| F (min.)          |  | -   |
| K (max.)          | At dimension F (min.)                              | -   |
| D (max.)          | Installation space (max.)                          | -   |

## Technical data

| C 500 VAN                         |  |
|-----------------------------------|--|
| Lifting capacity                  | 500 kg                                     |
| Main beam                         | 110 x 110 mm                               |
| Lifting gear hydraulics           | 1 x lift cylinder / 1 x tilt cylinder      |
| Platform overlap with floor       | -  |
| Lift arm pitch                    | 600 mm                                     |
| Load centre - lengthwise          | 600 mm                                     |
| Load centre - across centre       | 100mm off-centre, 50% rated load one-sided |
| Inclination angle of the platform | +90° to -10°                               |

## Diagram

| a (mm) | Q (kg) |
|--------|--------|
| 600    | 500    |
| 700    | 430    |
| 820    | 360    |
| 1120   | 260    |



Disclaimer: The specified weights refer to the lightest platforms of the corresponding height. Dimensions may vary. Specifications subject to change without notice.

**FEATURES:** Fixed control • pendant control • platform auto levelling • roll stops • flashing lights.

**PALFINGER AUSTRALIA**

**PHONE: 13 27 26**

palfinger.com.au info@palfinger.com.au

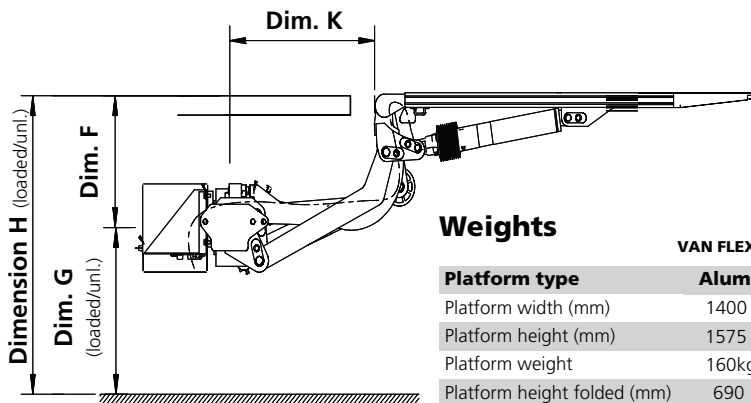


MELBOURNE • SYDNEY • NEWCASTLE • BRISBANE • PERTH

# MBB C 500 VAN FLEX



The flexible solution for vans



### Weights

| VAN FLEX                    |       |
|-----------------------------|-------|
| Platform type               | Alum. |
| Platform width (mm)         | 1400  |
| Platform height (mm)        | 1575  |
| Platform weight             | 160kg |
| Platform height folded (mm) | 690   |

### Dimensions

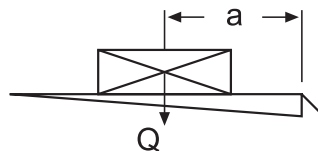
| C 500 VAN FLEX    |  |           |
|-------------------|--|-----------|
| Lift arms (in mm) |  | 500       |
| H (max.)          | Loading height unloaded                            | 780       |
| H (min.)          | Loading height loaded                              | 450       |
| F (max.)          | Middle of main beam to upper edge of loading floor | 340       |
| K (min.)          | At dimension F (max.)                              | 546       |
| D (min.)          | Installation space (min.)                          | 814 (926) |
| F (min.)          |  | -         |
| K (max.)          | At dimension F (min.)                              | -         |
| D (max.)          | Installation space (max.)                          | -         |

### Technical data

| C 500 VAN FLEX                    |  |
|-----------------------------------|--|
| Lifting capacity                  | 500kg (600kg opt.)                         |
| Main beam                         | 120 x 80 mm                                |
| Lifting gear hydraulics           | 1 x lift cylinder / 1 x tilt cylinder      |
| Platform overlap with floor       | 510 mm                                     |
| Lift arm pitch                    | 600 mm                                     |
| Load centre - lengthwise          | 600 mm                                     |
| Load centre - across centre       | 100mm off-centre, 50% rated load one-sided |
| Inclination angle of the platform | +90° to -10°                               |

### Diagram

| a (mm) | Q (kg) |
|--------|--------|
| 600    | 500    |
| 700    | 430    |
| 820    | 360    |
| 1120   | 260    |



The MBB C 500 VAN FLEX models is specifically designed for factory-built vans and fits virtually all models. Weighing in 160kg and lifting a full 500kg at 600mm load centre the lift features open and close hydraulic function and provides full access to drivers side door without needing to lower the platform but when required the platform still provides full width functionality.

Disclaimer: The specified weights refer to the lightest platforms of the corresponding height. Dimensions may vary. Specifications subject to change without notice.

**FEATURES:** Fixed control • pendant control • platform auto levelling • roll stops • flashing lights.

**PALFINGER AUSTRALIA**

**PHONE: 13 27 26**

palfinger.com.au

info@palfinger.com.au

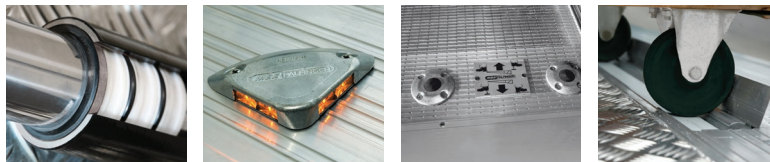


MELBOURNE • SYDNEY • NEWCASTLE • BRISBANE • PERTH



# PALFINGER

LIFETIME EXCELLENCE



**PALFINGER AUSTRALIA**

**PHONE: 13 27 26**

[palfinger.com.au](http://palfinger.com.au)

[info@palfinger.com.au](mailto:info@palfinger.com.au)

A  **Motors Company**

MELBOURNE • SYDNEY • NEWCASTLE • BRISBANE • PERTH