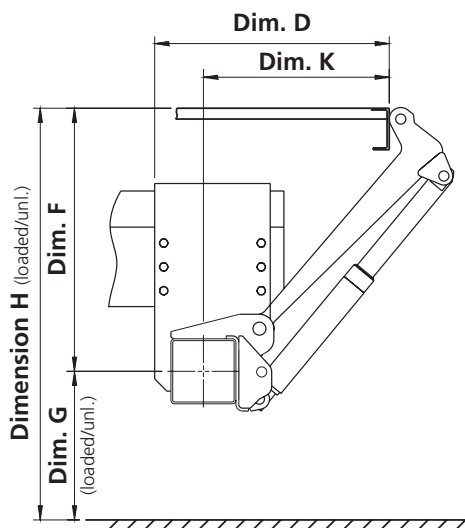


# MBB C 1500 S



Heavy duty use, exceptional performance



## Weights

### C 1500 S

Platform type	Alum.
Platform width (mm)	2450
Platform height (mm)	2200
Unit weight (kg)	548
Adds to vehicle (mm)	235*

\* Does not include seal kit or pressing

## Dimensions

		C 1500 S
<b>Lift arms (in mm)</b>		<b>700</b>
H (max.)	Loading height unloaded	1200
H (min.)	Loading height loaded	883
F (max.)	Middle of main beam to upper edge of loading floor	650
K (min.)	At dimension F (max.)	618
D (min.)	Installation space (min.)	768
F (min.)		508
K (max.)	At dimension F (min.)	726
D (max.)	Installation space (max.)	876

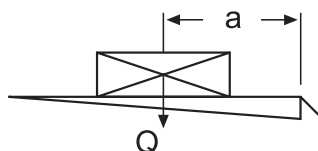
## Technical data

		C 1500 S
Lifting capacity		1500 kg
Main beam		180 x 180 mm
Lifting gear hydraulics		2 x lift cylinder / 2 x tilt cylinder
Platform overlap with floor		-63 mm
Lift arm pitch		1300 mm
Load centre - lengthwise		1000 mm
Load centre - across centre		50 % of the full load on one side
Inclination angle of the platform		+90° to -10°

## Diagram

### C 1500 S

a (mm)	Q (kg)
1000	1500



The MBB C 1500 S traditional cantilever lift is designed for heavy duty use with 1mt load centre and exceptional performance rating this lift is perfect for palletised freight deliveries. Available with aluminium platform, this model features four-cylinder technology and is suitable for a wide range of floor heights and ideal for larger vehicles.

Disclaimer: The specified weights refer to the lightest platforms of the corresponding height. Dimensions may vary. Specifications subject to change without notice.

**FEATURES:** Fixed control • pendant control • platform auto levelling  
• roll stops • flashing lights • foot controls

**PALFINGER AUSTRALIA**

**PHONE: 13 27 26**

palfinger.com.au

info@palfinger.com.au



MELBOURNE • SYDNEY • NEWCASTLE • BRISBANE • PERTH