

MBB C 3000 S

PALFINGER



The MBB C 3000 S lift has been cleverly designed to provide exceptionally stable four-cylinder operation capable of lifting goods up to 3000 kg, making it ideal for the transportation of the heaviest loads. It is available with either a steel or aluminium platform with a load centre of 1000 mm. A powerful, low-noise powerpack in the square main beam reduces noise during loading or unloading to a minimum.

FEATURES: Fixed control • pendant control • platform auto levelling
• roll stops • flashing lights • foot controls

PALFINGER AUSTRALIA

PHONE: 13 27 26

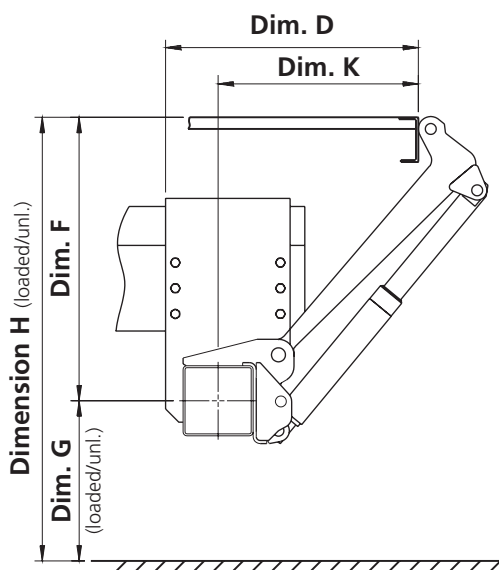
palfinger.com.au info@palfinger.com.au

A **Sime Darby** Motors Company

MELBOURNE • SYDNEY • NEWCASTLE • BRISBANE • PERTH

The most powerful lift in the range

PALFINGER



Weights **C 3000 S**

Platform type	Alum.
Platform width (mm)	2450
Platform height (mm)	
2200	737 kg
2400	780 kg
2600	823 kg
Adds to vehicle (mm)	275*

Platform type	Steel
Platform width (mm)	2450
Platform height (mm)	
2209	948 kg
2409	980 kg
2609	1001 kg
Adds to vehicle (mm)	275*

* Does not include seal kit or pressing

Dimensions

C 3000 S		
Lift arms (in mm)		900
H (max.)	Loading height unloaded	1554
H (min.)	Loading height loaded	1030
F (max.)	Middle of main beam to upper edge of loading floor	924
K (min.)	At dimension F (max.)	652
D (min.)	Installation space (min.)	807
F (min.)		645
K (max.)	At dimension F (min.)	901
D (max.)	Installation space (max.)	1056

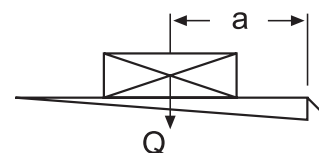
Technical data

C 3000 S	
Lifting capacity	3000 kg
Main beam	190 x 190 mm
Lifting gear hydraulics	2 x lift cylinder / 2 x tilt cylinder
Platform overlap with floor	- 72 mm
Lift arm pitch	1300 mm
Load centre - lengthwise	1000 mm
Load centre - across centre	50 % of the full load on one side
Inclination angle of the platform	+90° to -10°

Diagram

C 3000 S

a (mm)	Q (kg)
1000	3000
1200	2500
1500	2000
1800	1650
2400	1250



Disclaimer: The specified weights refer to the lightest platforms of the corresponding height. Dimensions may vary. Specifications subject to change without notice.

PALFINGER AUSTRALIA

PHONE: 13 27 26

palfinger.com.au info@palfinger.com.au

A **Sime Darby** Motors Company

MELBOURNE • SYDNEY • NEWCASTLE • BRISBANE • PERTH